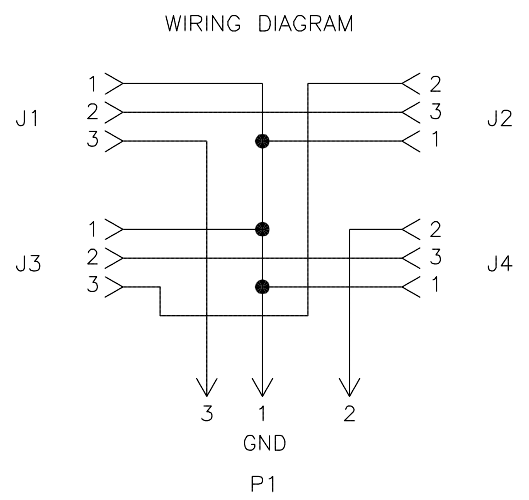
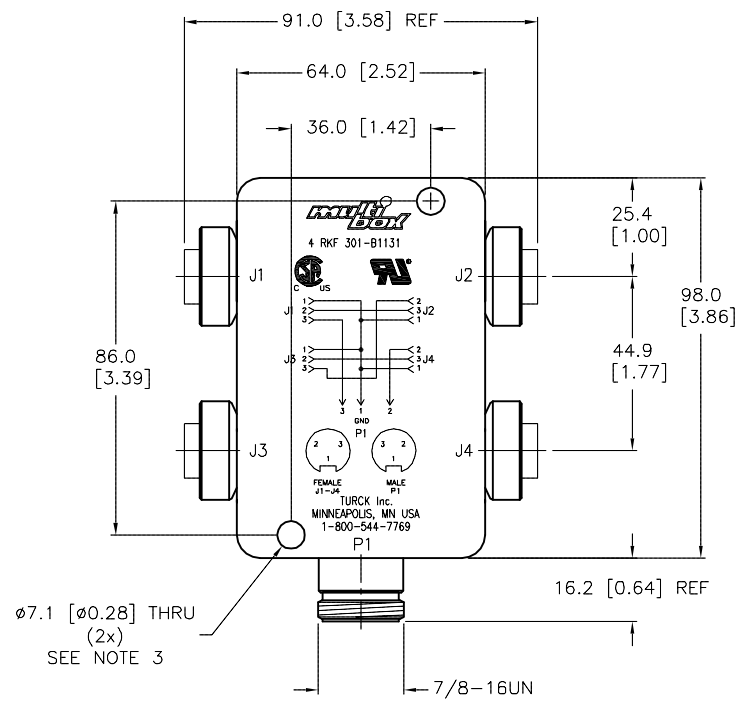


SPECIFICATIONS	
MATERIAL	
HOUSING MATERIAL	ALUMINUM ALLOY
HOUSING FINISH/COLOR	EPOXY/BLACK
CONTACT CARRIER MATERIAL	TPU
CONTACT MATERIAL/PLATING	BRASS/GOLD
RECEPTACLE MATERIAL/PLATING	BRASS/NICKEL
ELECTRICAL DATA	
OPERATING VOLTAGE	250 VAC, 300 VDC
OPERATING CURRENT	4.0 AMPS/PORT, 4 AMP TOTAL
MECHANICAL DATA	
PROTECTION CLASS to DIN 40050	IP 67 ONLY WHEN RKM 66 CORDSET AND ALL RECEPTACLES ARE COVERED WITH PLUGS OR CONNECTED
OPERATING TEMPERATURE	-40°C to +105°C (-40°F to +221°F)



SOURCE DRAWING - FOR REFERENCE ONLY

NOTES:

1. BOX HEIGHT IS 1.36 [36.0 mm] NOM.
2. CLEARANCE HOLE FOR 1/4-20 MOUNTING SCREWS (NOT SUPPLIED).
3. MATING CORDSET FOR B1131 CONNECTOR - RKM 36-* M.

RELATED DOCUMENTS 1. 2. 3. 4.	3RD ANGLE PROJECTION 	THIS DRAWING IS CONFIDENTIAL AND THE PROPERTY OF TURCK INC. USE OF THIS DOCUMENT WITHOUT WRITTEN PERMISSION IS PROHIBITED.		3000 CAMPUS DRIVE MINNEAPOLIS, MN 55441 1-800-544-7769 (763) 553-7300 (763) 553-0708 fax www.turck.us	
	MATERIAL	DRFT IK	DATE 6/25/96	DESCRIPTION 4 RKF 301-B1131	
FINISH	ALL DIMENSIONS DISPLAYED ON THIS DRAWING ARE FOR REFERENCE ONLY	APVD	SCALE 1=2.0	IDENTIFICATION NO. U2361-90	
	CONTACT TURCK FOR MORE INFORMATION	UNIT OF MEASUREMENT MILLIMETER [INCH]		REV D	
D DRAWING PROCESSED AS PART OF ECO 33971	CBM 04/07/11	DO NOT SCALE THIS DRAWING		FILE: U2361-90	SHEET 1 OF 1
REV DESCRIPTION	BY DATE ECO NO.				